

EASY TO USE, ROBUST, FOLLOWS THE DUTCH STATIC CONE METHOD

Penetrometer easy to use for shallow tests

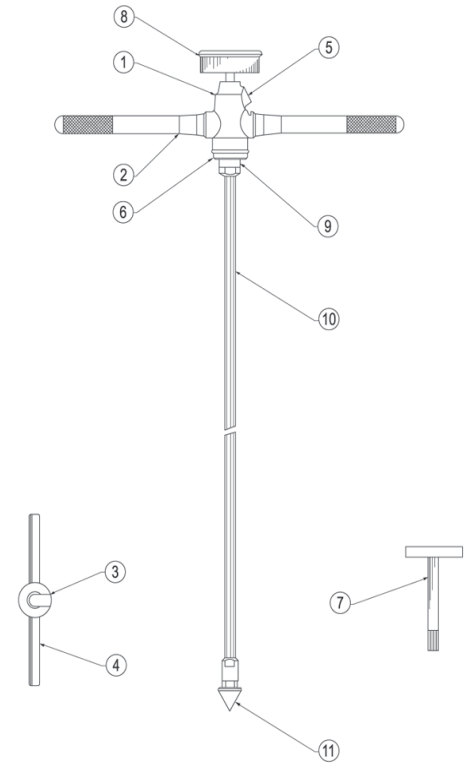
Description

The HSA-5 static penetrometer was designed to make soundings to limited depths by the “Dutch Cone Static Penetrometer” method with a single string of rods.

Accessories

- Hydraulic measuring device with 2 hand grips; surface area of measuring piston: 5 cm²
- Pressure gauge with range 0–2000 kPa
- Push-pull handle
- Two 5 cm² cones
- Two 10 cm² cones
- Two pressure rods (15 mm Ø by 1000 mm length)
- One can of oil
- One set of service tools

- 1- Measuring head
- 2- Removable handles
- 3- Rod puller
- 4- Puller handles
- 5- Oil reservoir plug
- 6- Sealing ring
- 7- Key
- 8- Pressure gauge
- 9- Piston
- 10- Rod
- 11- Cone



Roctest Ltd,
680 Birch Street
St-Lambert, Quebec
Canada J4P 2N3

Phone +1 450 465 1113
Fax. +1 450 465 1938

Email info@roctest.com
Web www.roctest.com

Roctest reserves the right to make any changes in the specifications without prior notice